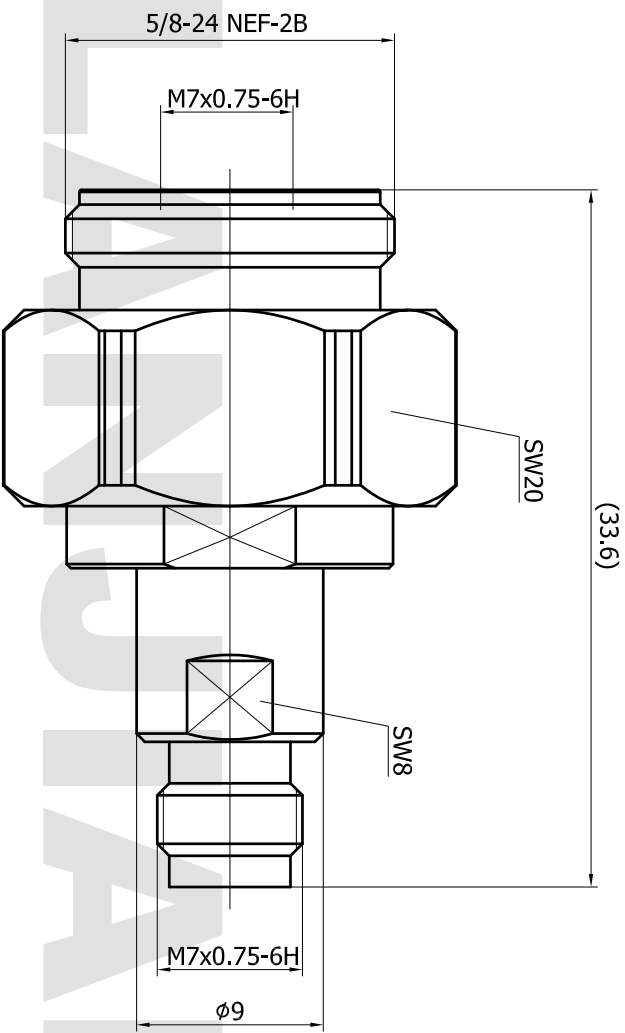


# PRODUCT DATA SHEET



**MATERIAL:**  
BODY: STAINLESS STEEL  
CONTACT: BERYLLIUM COPPER  
INSULATOR: PEI

**PERFORMANCE:**  
IMPEDANCE: 50 OHMS  
FREQUENCY: DC~ TO 65 GHz  
VSWR: ≤1.25

THIS DOCUMENT CONTAINS CONFIDENTIAL AND PROPRIETARY INFORMATION THAT CANNOT BE REPRODUCED OR DIVULGED, IN WHOLE OR IN PART, WITHOUT WRITTEN AUTHORIZATION FROM "LANJIAN ELECTRONICS"

MATERIAL :		UNLESS OTHERWISE SPECIFIED: DIMENSIONS IN MM	
TOLERANCES :		ANGULAR : ±1°	
XX	±0.20	XX	±0.10
XXX	±0.10	XXX	±0.10
X.XXX	±0.01	XXXX	±0.01
SURFACE FINISH : Ra 1.6		DEBURR AND BREAK SHARP EDGES	
NAME	DATE	SIGNATURE	
DRAWN X.C.W	11/09/2022		
CHKD H.Z.Y	11/09/2022		
APPRVD H.Z.Y	11/09/2022		
MFG			
PROJECTION	SIZE	SCALE	
	A3	4:1	

**LANJIAN ELECTRONICS**  
38 Hengtong Road, Xinqu Dingmao  
Zhenjiang, 212009, Jiangsu, P. R. China

TITLE  
**NMD1.85/1.85-JK**

DWG No. GCPZ3.640.U.040  
REV. A  
DO NOT SCALE THE DRAWING  
1 / 1