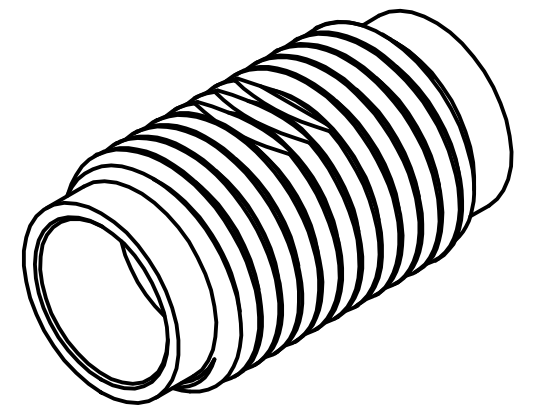
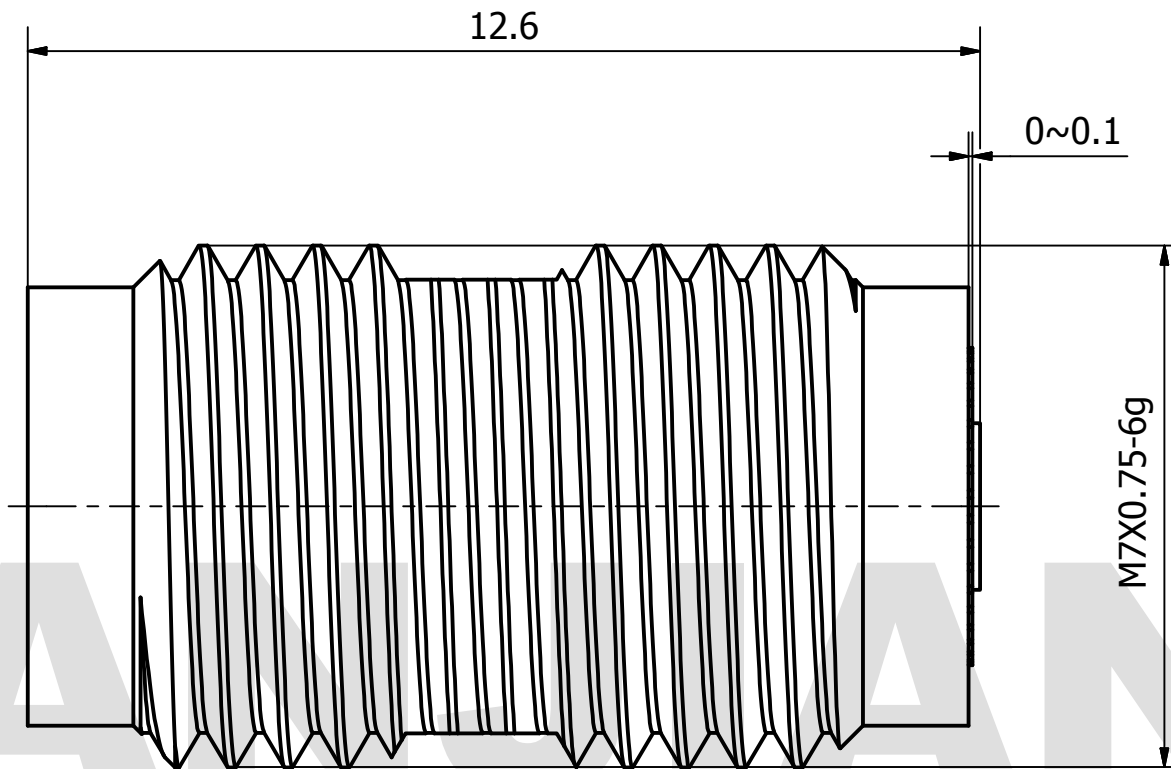


PRODUCT DATA SHEET



MATERIAL:
BODY: LEAD BRASS,
 ALLOY UNS C37710
CONTACT: BERYLLIUM COPPER PER ASTM B196.
 ALLOY NO. UNS C17300
INSULATOR: PEI

PERFORMANCE:
IMPEDANCE: 50 OHMS
FREQUENCY: DC TO 65 GHz
VSWR: ≤ 1.5

THIS DOCUMENT CONTAINS CONFIDENTIAL AND PROPRIETARY INFORMATION THAT CANNOT BE REPRODUCED OR DIVULGED, IN WHOLE OR IN PART, WITHOUT WRITTEN AUTHORIZATION FROM "LANJIAN ELECTRONICS"	MATERIAL :			 38 Hengtong Road, Xinqu Dingmao Zhenjiang, 212009, Jiangsu, P. R. China
	UNLESS OTHERWISE SPECIFIED: DIMENSIONS IN MM			
	TOLERANCES :			
	X.X ± 0.10	ANGULAR : ± 30°	DEBURR AND BREAK SHARP EDGES	
	X.XX ± 0.05	FILLETS R/C : ± 0.10		
	X.XXX ± 0.005	SURFACE FINISH : Ra 0.8		
NAME	DATE	SIGNATURE	TITLE <h2 style="margin: 0;">1.85-KYD-1 connector</h2>	
DRAWN				
CHK'D				
APPV'D				
MFG			DWG No.	
PROJECTION		SIZE	SCALE	REV.
		A3	10 : 1	
DO NOT SCALE THE DRAWING			PAGE	
			1 / 1	